

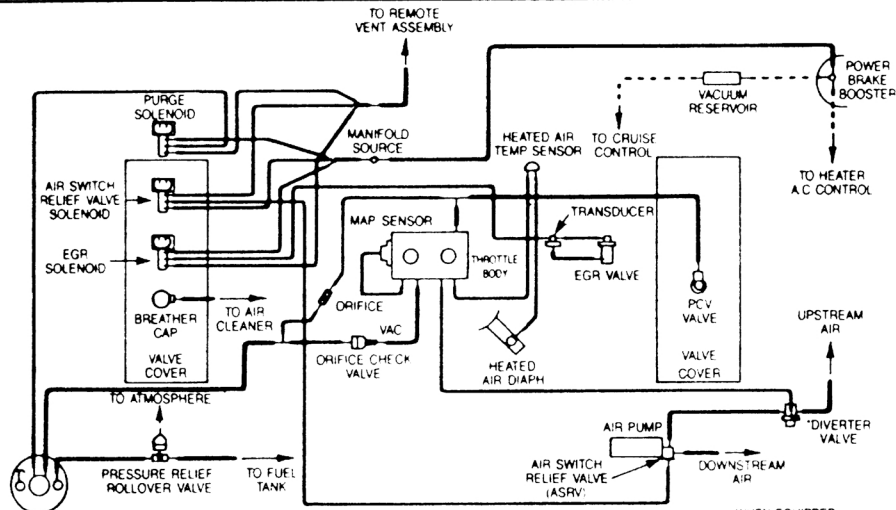
*BASIC IGNITION TIMING AND IDLE FUEL AIR MIXTURE HAVE BEEN PRESET AT THE FACTORY SEE THE SERVICE MANUAL FOR PROPER PROCEDURES AND OTHER ADDITIONAL INFORMATION.

*ADJUSTMENTS MADE BY OTHER THAN APPROVED SERVICE MANUAL PROCEDURES MAY VIOLATE FEDERAL AND STATE LAWS

CAUTION. APPLY PARKING BRAKE WHEN SERVICING VEHICLE.

3.9 LITER	SPARK PLUGS
KCR3 9T5HGJ8	035 IN. GAP
KCRTD	RN12YC

<u>IDLE*</u>	<u>MAN</u>	<u>AUTO</u>
TIMING BTC	10"	10"
NO ADJUSTMENTS NEEDED FOR IDLE RPM		
FAMILY NO _x EMISSION LIMIT 2.3		



--- WHEN EQUIPPED OPTIONAL VACUUM OPERATED ACCESSORIES